

MMN12AD01-SG 1A uPOL Module EVB Guide

ELECTRICAL SPECIFICATION:

Parameters	Symbol	Value	Unit
Input Voltage	VIN	4.5~16.0	V
Output Voltage	VOUT	0.6~6.0	V
Output Current	IOUT	1	A

OUTPUT VOLTAGE SETTING:

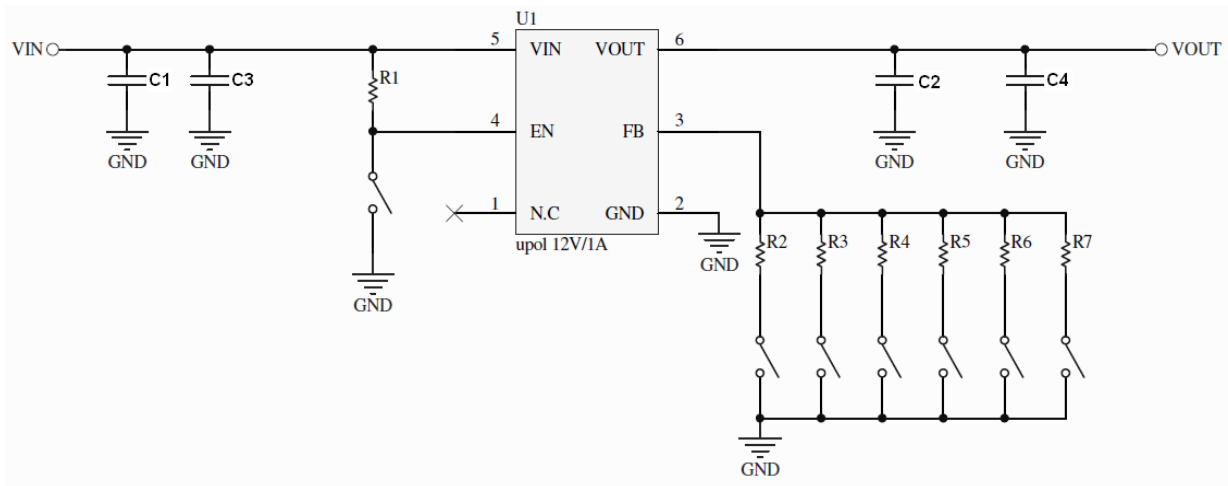
$$V_{OUT} = 0.60 \times \left(1 + \frac{100k}{R_2} \right)$$

Vout (V)	1.0	1.2	1.5	1.8	2.5	3.3	5.0
R_{FB}	150K Ω	100K Ω	66.67K Ω	50K Ω	31.58K Ω	22.22K Ω	13.64K Ω

TABLE 1: OUPUT VOLTAGE SETTING

MMN12AD01-SG 1A uPOL Module EVB Guide

EVALUATION BOARD SCHEMATIC:

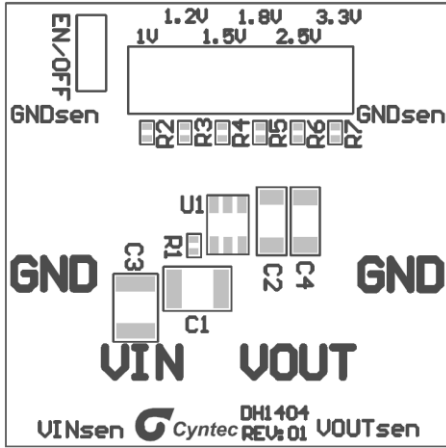


BILL OF MATERIALS:

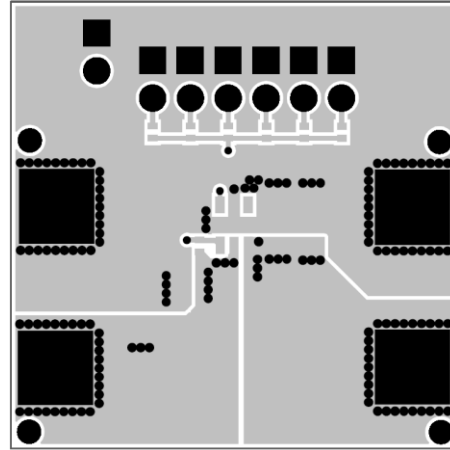
Ref.	Value	Description	Package
C1	10uF	50V	1210
C2	22uF	16V	1210
C3		N.C.	
C4		N.C.	
R1	100k	Chip Res, +/-0.5%	0402
R2-R7	Depend on Vout, refer table 1		0402
U1	1 A	MMN12AD01-SG 1A uPOL Module (3.9mmx2.6mmx1.9mm)	DFN

MMN12AD01-SG 1A uPOL Module EVB Guide

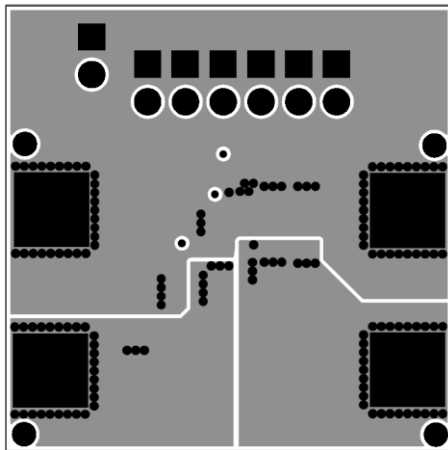
PRINTED CIRCUIT BOARD LAYOUT:



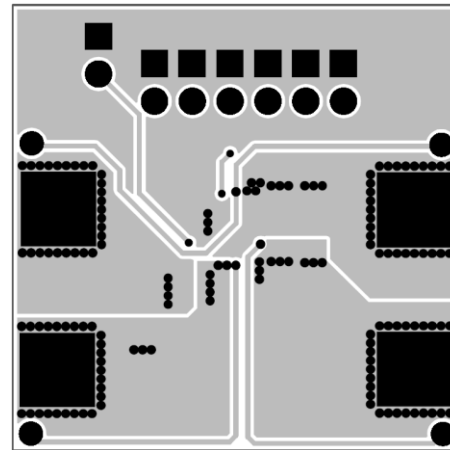
Components Location on Bottom



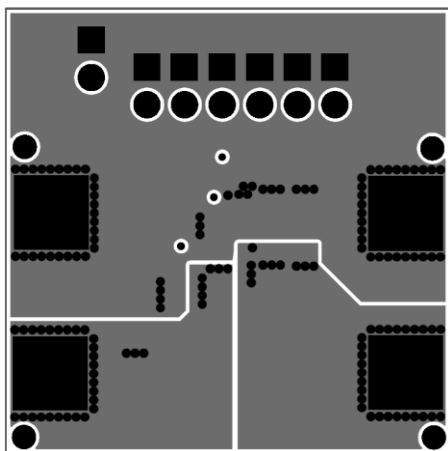
Top Layer



Mid Layer1



Mid Layer2



Bottom Layer

MMN12AD01-SG 1A uPOL Module EVB Guide

REVISION HISTORY:

Date	Revision	Changes
2017.08.04	00	Issue initial preliminary EVB guide.